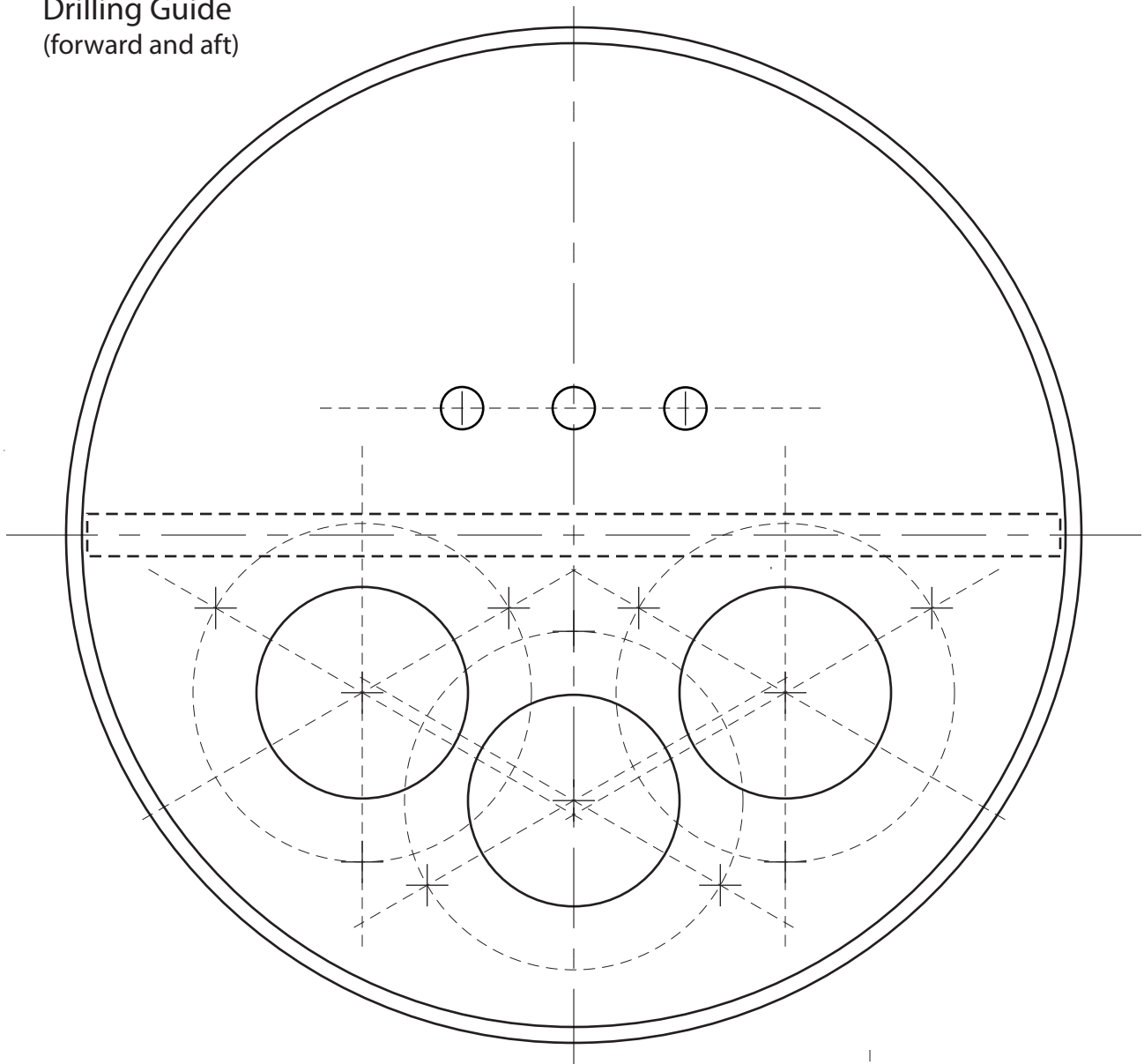


Drilling Guide  
(forward and aft)



Aluminum Mounting plate  
0.10" aluminum 6061 or similar

