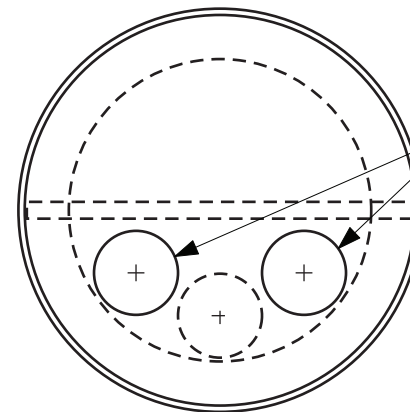


single CD3 forward end



dual CD3s aft end